

## UV601 Series HD Video Conference Camera

Full HD, Wide View Angle, Multiple Video Interfaces,  
Multiple Protocols

UV601 series camera offers perfect functions, superior performance and rich interfaces. The features include advanced ISP processing algorithms to provide vivid images with a strong sense of depth, high resolution, and fantastic color rendition. It supports H.265/H.264 encoding which makes motion video fluent and clear even under less than ideal bandwidth conditions.



### Key Features

- **Superb High-definition Image**  
UV601 employs 1/2.8 inch high quality CMOS sensor. Resolution is up to 1920x1080 with frame rate up to 60fps.
- **Various Optical Zoom Lens**  
UV601 has 12X/20X/30X optical zoom lens for options. 12x zoom lens is with 72.5 ° wide view angle without distortion.
- **Exposure dynamic control algorithm:** a unique dynamic exposure control algorithm based on the human eye model, so that the picture exposure is uniform and the sense of layering is strong. Using the industry's most advanced **WDR** (Wide Dynamic Range) CMOS sensor, combined with exposure dynamic control algorithm processing, it can clearly capture and image all scenes in environments with strong contrast between light and dark (such as backlighting).
- **Low Noise and High SNR**  
Low Noise CMOS effectively ensure high SNR of camera video. Advanced 2D/3D noise reduction technology is also used to further reduce the noise, while ensuring image sharpness.
- **Multiple Audio Output Interfaces**  
Support HDMI, USB2.0, USB3.0, Wired LAN, Wireless LAN
- **Audio Input Interface**  
Support 8000, 16000, 32000, 44100, 48000 sampling frequency and AAC, MP3, PCM audio coding.
- **Wide-range, Quiet and Quick Pan/Tilt Mechanism**  
By adopting step driving motor mechanism, UV601 camera works extremely quiet and moves smoothly.
- **Multiple Audio/Video compression**  
Support H.264/H.265 video compression; AAC, MP3 and G.711A audio compression; Support compression of resolution up to 1920x1080 with frame up to 60fps.
- **Multiple Network Protocol**  
Support ONVIF, GB/T28181, RTSP, RTMP protocols and support RTMP push mode, easy to link streaming media server (Wowza, FMS).
- **Multiple Control Protocol**  
Support VISCA, PELCO-D, PELCO-P protocols and automatic identification protocol.
- **Low-power sleep function**  
Support low-power sleep/wake up, the consumption is lower than 400mW under sleep mode.
- **Multiple Preset**  
Support 255 preset positions (the remote controller is set to 10 preset positions).
- **Multiple Remote Controller**  
Users can choose infrared remote controller or wireless remote controller according to the environmental conditions. The 2.4G wireless remote controller is not affected by the angle, distance or infrared interference. Support remote signal pass through function, which is convenient for back-end use.
- **Wide Application**  
Tele-education, lecture capture, Webcasting, Videoconferencing, Tele-training, Tele-medicine, Interrogation and Emergency command systems.

### Order No.

Phone: +86-17771843647

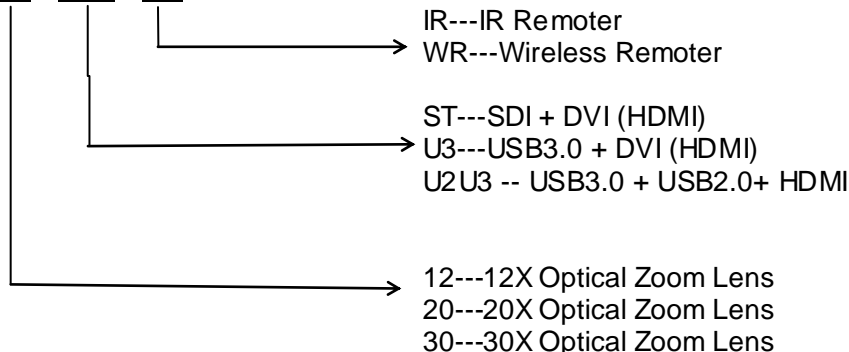
Tel: +86-755-33288582

E-mail: [claire@mingricctv.com](mailto:claire@mingricctv.com)

Web: [www.minrraycam.com](http://www.minrraycam.com)

Address: 5&6 Floor, Building 13-A, ZhongHaiXin Technology Park, Ganli Road, Lilang Avenue, Buji, Shenzhen 518112, China

UV601—XXX—XXX—XX



### Technical Specification

Model	UV601-12	UV601-20	UV601-30
Camera Parameter			
Optical Zoom	12X f=3.9~46.8mm	20X f=5.5~110mm	30X f=4.3~129mm
Sensor	1/2.8 inch high quality HD CMOS sensor		
Effective Pixels	16: 9 2.07 megapixel		
Video Format	<b>DVI (HDMI) /SDI video format</b> 1080P60/50/30/25/59.94/29.97;1080I60/50/59.94;720P60/50/30/25/59.94/29.97 <b>U3 interface video format</b> 1)U3:1920X1080P60/50/30/25; 1280X720P60/50/30/25; 960X540P30; 640X360P30; 640X480P30; 352X288P30; 800X600P30; 2) U3 compatible with U2: 960X540P30; 640X360P30; 1280X720P10/15; 720X576P50; 720X480P60; 640X480P30; 352X288P30; 800X600P30; <b>U2 interface video format</b> 176x144/320x240/320x180/352x288/640x480/720x480/720x576/640x360/800X600/960X540/1024X576/1024X768/1280X720/1920X1080P30/25/20/15/10/5		
View Angle	6.3°(tele)--72.5°(wide)	3.3°(tele)--54.7°(wide)	2.34°(tele)—65.1°(wide)
AV	F1.8 ~ F2.4	F1.6 ~ F3.5	F1.6 ~ F4.7
Digital Zoom	10X		
Minimum Illumination	0.5Lux (F1.8, AGC ON)		
DNR	2D & 3D DNR		
White Balance	Auto / Manual/ One Push/ 3000K/3500K/4000K/4500K/5000K/5500K/6000K/6500K/7000K		
Focus	Auto/Manual/One push focus		
Aperture	Auto/Manual		
Electronic Shutter	Auto/Manual		
BLC	ON/OFF		
WDR	OFF/ Dynamic level adjustment		

Phone:+86-17771843647

Tel:+86-755-33288582

E-mail:claire@mingricctv.com

Web:www.minrraycam.com

Address: 5&6 Floor,Building 13-A,ZhongHaiXin Technology Park,Ganli Road,Lilang Avenue,Buji,Shenzhen 518112,China

Video Adjustment	Brightness,Color,Saturation,Contrast,Sharpness,B/W mode,Gamma curve
SNR	>55DB
<b>Input/Output Interface</b>	
Video Interfaces	UV601-12/20/30-ST Model:3G-SDI,DVI(HDMI),LAN,RS232(IN/OUT),RS485,A-IN UV601-12/20/30-U3 Model:USB3.0,DVI(HDMI),LAN,RS232(IN) UV601-12/20/30-U2U3 Model: USB3.0,USB2.0, HDMI, LAN, RS232(IN),A-IN
Video Output Interfaces	DVI (HDMI) ,HDMI, SDI, LAN, USB3.0, USB2.0
Image Code Stream	Dual stream output
Video Compression Format	H.264, H.265
Control Interface	RS232 Ring through RS232 output, RS485
Control Protocol	VISCA/Pelco-D/Pelco-P; Baud Rate: 115200/9600/4800/2400bps
Audio Input Interface	Double track 3.5mm linear input;
Audio Compression Format	AAC/MP3/G.711 A Audio compression
Network Interface	100M IP port(100BASE-TX); 5G WiFi (optional),
Network Protocol	RTSP, RTMP, ONVIF, GB/T28181, Network VISCA Control Protocol, Support remote upgrade, reboot and reset.
Power Interface	HEC3800 outlet (DC12V)
<b>PTZ Parameter</b>	
Pan Rotation	±170°
Tilt Rotation	-30°~+30°
Pan Control Speed	0.1 -100°/sec
Tilt Control Speed	0.1-45°/sec
Preset Speed	Pan: 100°/sec,Tilt: 45°/sec
Preset Number	255 presets (10 presets by remote controller)
<b>Other Parameter</b>	
Power Adapter	AC110V-AC220V to DC12V/2.5A
Input Voltage	DC12V±10%
Input Current	1A(Max)
Consumption	12W (Max)
Store Temperature	-10℃~+60℃
Store Humidity	20% - 95%
Working Temperature	-10℃~+50℃
Working Humidity	20%--80%
Dimension	258mmX144mmX169mm
Weight	1.46KG
Accessory	Power supply,RS232 control cable, Remote controller, User manual
Optional Accessories	Mounting bracket

**Dimension(mm):**

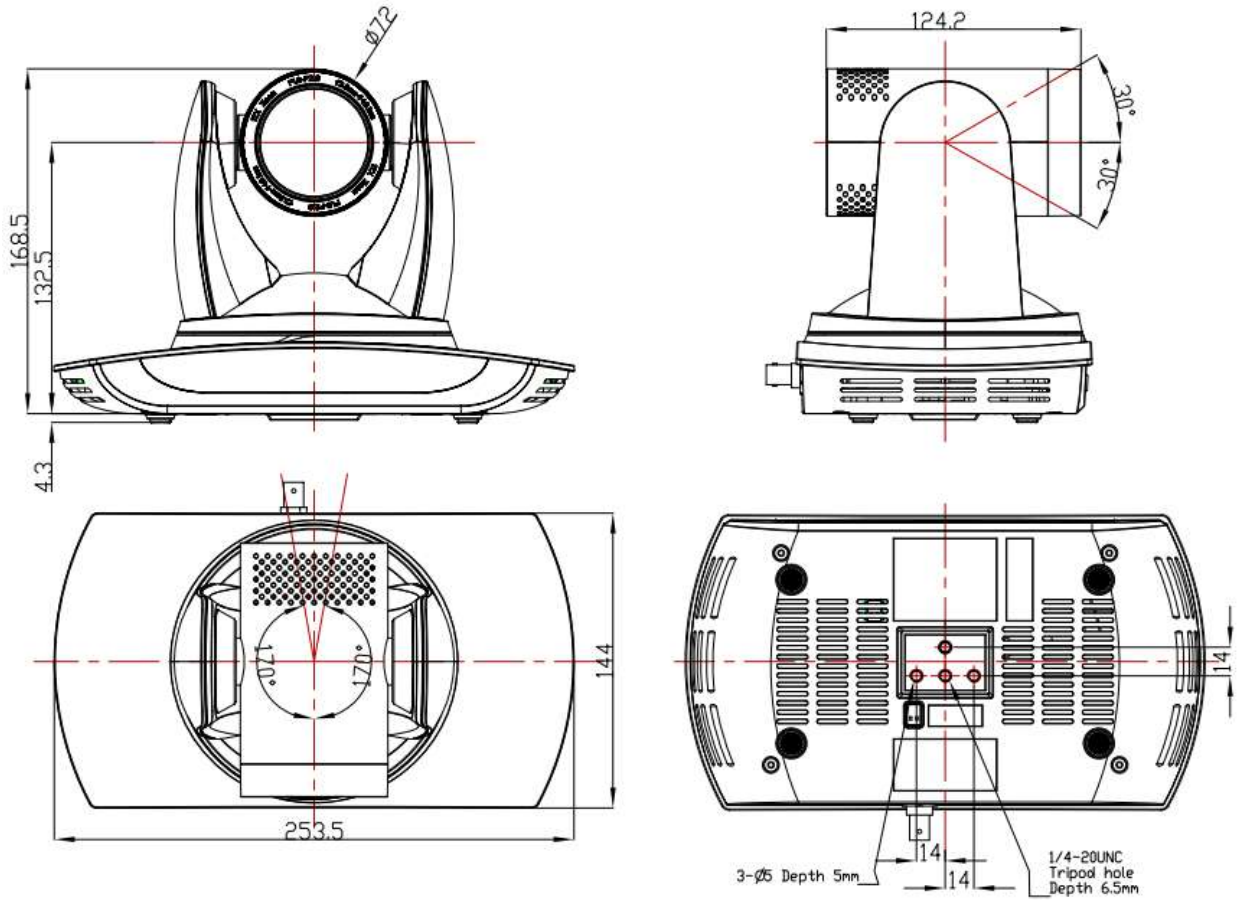
Phone:+86-17771843647

Tel:+86-755-33288582

E-mail:claire@mingricctv.com

Web:www.minrraycam.com

Address: 5&amp;6 Floor,Building 13-A,ZhongHaiXin Technology Park,Ganli Road,Lilang Avenue,Buji,Shenzhen 518112,China



Phone:+86-17771843647

Tel:+86-755-33288582

E-mail:claire@mingricctv.com

Web:www.minrraycam.com

Address: 5&6 Floor,Building 13-A,ZhongHaiXin Technology Park,Ganli Road,Lilang Avenue,Buji,Shenzhen 518112,China